



## Application

The COLM (COntec Level Measurement) miniature float switches of the T/E-C series complete our existing range of float switches. They operate according to the proven magnetic float reed contact principle and are suitable for installation from above, from below and from the side with angle option.



## Specifications

### Liquid Types

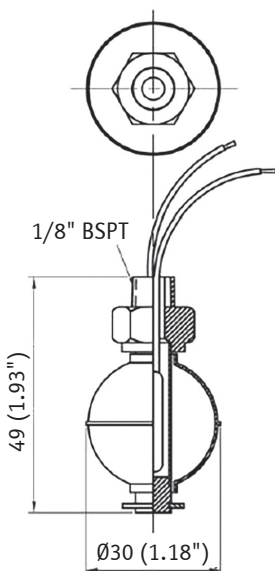
Liquids compatible with the construction materials:  
typically diesel, kerosene, petrol, water.

### Electrical

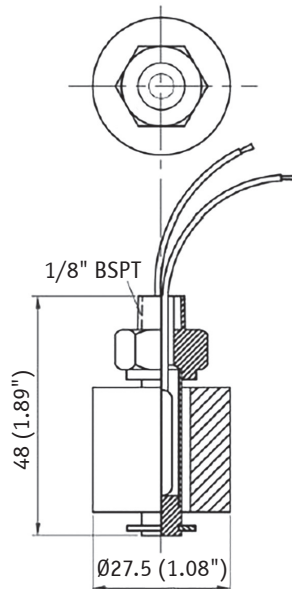
Switching current: 0.5 A or 1A

Switching voltage: 200 VDC / 250 VAC or 400 VDC / 400 VAC

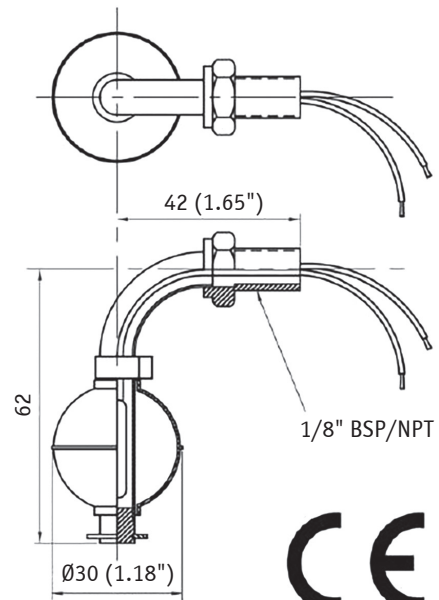
### Dimensions



All stainless steel



Brass/Nitrophenyl



All stainless steel



## Environmental Ratings

Operating Temp.: -40 °C to +110°C (-40°F to +230°F)

### Pressure

Non stainless steel: 7 bar (100psi)

Stainless steel: 20bar (300 psi)

Part No.	Stem	Float	Float O. D.	Thread	Mounting
T/E-C/11	Brass	Nitrophenyl	27.5mm (1.08")	1/8" BSPT	Top
T/E-C/13	Stainless Steel 316	Stainless Steel 316	30.0mm (1.18")	1/8" BSPT	Top
T/E-C/15	Stainless Steel 316	Polypropylene	28.5mm (1.12")	1/8" BSPT	Top
T/E-C/17	Stainless Steel 316	Stainless Steel 316	30.0mm (1.18")	1/8" BSP	Side
T/E-C/18	Stainless Steel 316	Stainless Steel 316	30.0mm (1.18")	1/8" NPT	Side
T/E-C/20	Stainless Steel 316	Stainless Steel 316	28.0mm (1.10")	M10 x 1.5	Side