



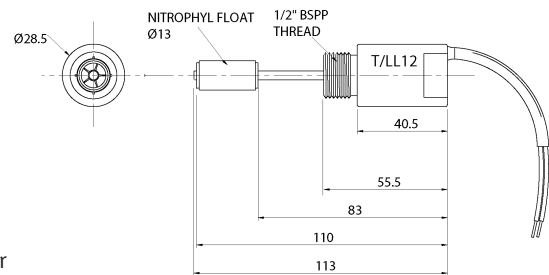
## Application

The COLM (COntec Level Measurement) Side Entry series of single point float switches are manufactured in a range of materials to suit varied applications. Most switches are mounted from the outside of the tank and can be rotated through 180° to give a choice of either open on rise or close on rise switching configuration. Optional changeover switching can be specified. Some customisation can be offered, for example, should internal tank fittings impede the operation of the switch, or if a different connection method is required.



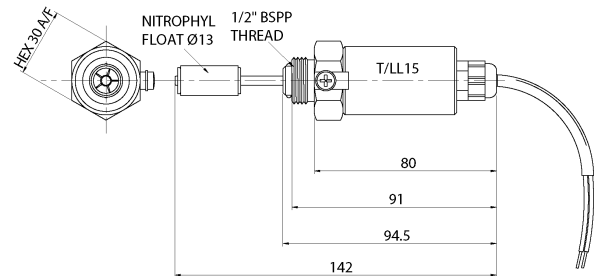
## T/LL 12 specifications

<b>Body:</b>	Aluminium
<b>Float:</b>	Buna-N
<b>Float Arm:</b>	304 Stainless Steel
<b>Thread:</b>	1/2" BSP
<b>Electrical specification</b>	
<b>Voltage:</b>	240 V
<b>Current:</b>	1 A
<b>Power:</b>	10 VA
<b>Connection:</b>	24 AWG PVC Flying leads or DIN 43650 connector
<b>Operation:</b>	N/O or N/C



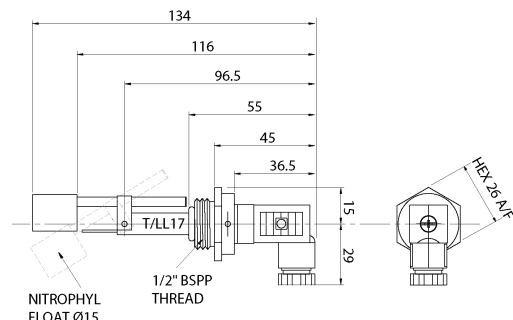
## T/LL 15 specifications

<b>Body:</b>	304 Stainless Steel
<b>Float:</b>	Buna-N
<b>Float Arm:</b>	304 Stainless Steel
<b>Thread:</b>	1/2" BSP
<b>Electrical specification</b>	
<b>Voltage:</b>	240 V
<b>Current:</b>	1 A
<b>Power:</b>	10 VA
<b>Connection:</b>	0.75 mm <sup>2</sup> PVC Flying leads
<b>Operation:</b>	N/O or N/C



## T/LL 17 specifications

<b>Body:</b>	Stainless Steel
<b>Float:</b>	Buna-N
<b>Float Arm:</b>	304 Stainless Steel
<b>Thread:</b>	1/2" BSP
<b>Electrical specification</b>	
<b>Voltage:</b>	240 V
<b>Current:</b>	1 A
<b>Power:</b>	10 VA
<b>Connection:</b>	DIN 43650 connector
<b>Operation:</b>	N/O or N/C



**Environmental Ratings all types: -20 °C to +70 °C**

