



9402 Series guided wave radar II (GWR II)

Application

The 9402 series is a range of highly advanced Guided Wave Radar Sensors (GWR) for continuously measuring the liquid contents of a tank. The GWR technology uniquely provides high resolution measurements from an industrial sensor without moving parts and remains unphased by variations in liquid properties.

With new liquid fuel technologies, this forward-thinking sensor accurately measures a large range of fuels in standard form without recalibration. Where engines are designed to run on multiple fuel types, such as Diesel / Bio Diesel / HVO, you can rely on the GWR to support your application with an accurate liquid level whatever is in your tank.

The robust, low-profile design makes the GWR ideal for a wide range of applications where reliability is paramount.



Specifications

Liquid Types

Diesel, Biodiesel, HVO, Kerosene, Petrol, Water, or any liquid which is compatible with the materials of construction

Construction

Housing:

Die cast aluminium with level III anodisation

Sensor Tube:

304 SS

Wetted Materials:

Anodised aluminium, 304 SS, Acetal, Viton

Dimensions

Probe Length:

Min 200mm, Max 3000mm

Electrical

Supply Voltage:

9-32 VDC

Supply Current:

35 mA average @ 9 VDC input

Reverse Polarity Protection:

60 V

Average Power Consumption:

400 mW

Connections:

610mm long 3-wire flying lead*

Output

Voltage:

0.5-4.5 VDC or 0-5 VDC

Current:

4-20 mA

Performance

Accuracy:

+/-3% Active Length

Resolution:

< 2mm

Environmental Ratings

Operating Temperature:

-40°C to +85°C

Sealing:

IP6K9K

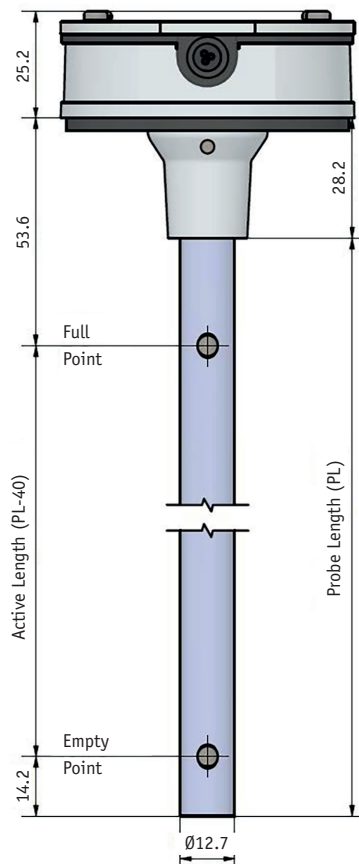
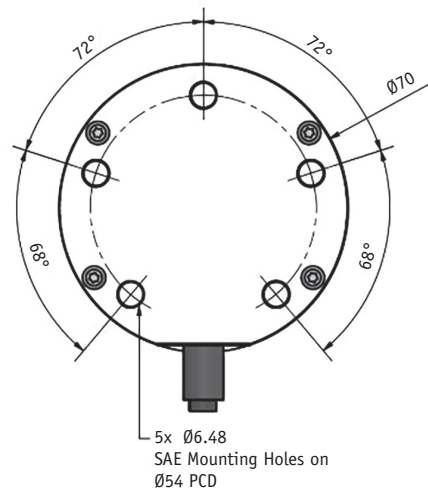
Max Tank Pressure:

15 PSI

Options

Accessories:

Threaded adaptors available



*Connections

Any suitable customer specified connector can be fitted. Terminated wire ends should be fitted with suitably sealed connectors to maintain specified IP rating.